

LED GRILLE LIGHT



Features

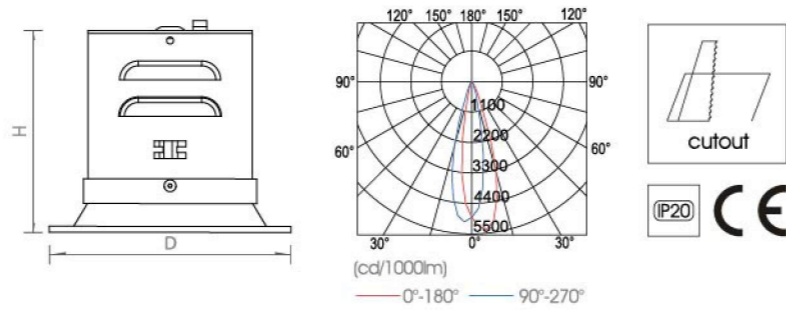
- Up to 85% energy saving compared with halogen grille light
- Well designed structure for glare minimizing
- Tensile lamp heads available
- Same cutout hole as halogen grille light

Benefits

- Significant energy cost is saved
- Low glare, comfortable lighting
- Very flexible for illuminating in all directions

Application

For general/accent lighting in stores, bars, museum, homes, etc



Specification

Embedded Type

Picture	Model	Voltage	Power	Power Factor	Lumen	Beam Angle	CRI	Color Temperature	Cutout	Dimension	Life Time	IP	QTY/CTN
	MGL41110	AC220-240V	6W	0.75	350lm	25°	>80	3000K	100*100mm	W120*D120*H102mm	30,000hrs	IP20	40 pcs
					380lm			5000K					
	MGL41210	AC220-240V	12W	0.83	700lm	25°	>80	3000K	200*100mm	W222*D120*H102mm	30,000hrs	IP20	40 pcs
					740lm			5000K					

Tensile Type

Picture	Model	Voltage	Power	Power Factor	Lumen	Beam Angle	CRI	Color Temperature	Cutout	Dimension	Life Time	IP	QTY/CTN
	MGL61110	AC220-240V	6W	0.75	350lm	25°	>80	3000K	100*100mm	W110*D110*H85mm	30,000hrs	IP20	40 pcs
					380lm			5000K					
	MGL61210	AC220-240V	12W	0.83	700lm	25°	>80	3000K	186*100mm	W201*D110*H85mm	30,000hrs	IP20	40 pcs
					740lm			5000K					

Energy Saving Comparison

Energy Saving Rate: Up to 85%
Life Time Comparison: 2,000hrs VS 30,000hrs



Item	System Power	Luminous Flux	Efficacy	CCT	Life Time
LED Grille Light 6W	6W	380lm	63lm/W	3000K/5000K	30,000hrs
Halogen Grille Light 35W	40W	385lm	10lm/W	3000K	2,000hrs
LED Grille Light 12W	12W	740lm	61lm/W	3000K/5000K	30,000hrs
Halogen Grille Light 50W	57W	580lm	10lm/W	3000K	2,000hrs

Remarks:
1. The efficiency of issued halogen transformer is 88%

