

# LED TRACK LIGHT



## Features

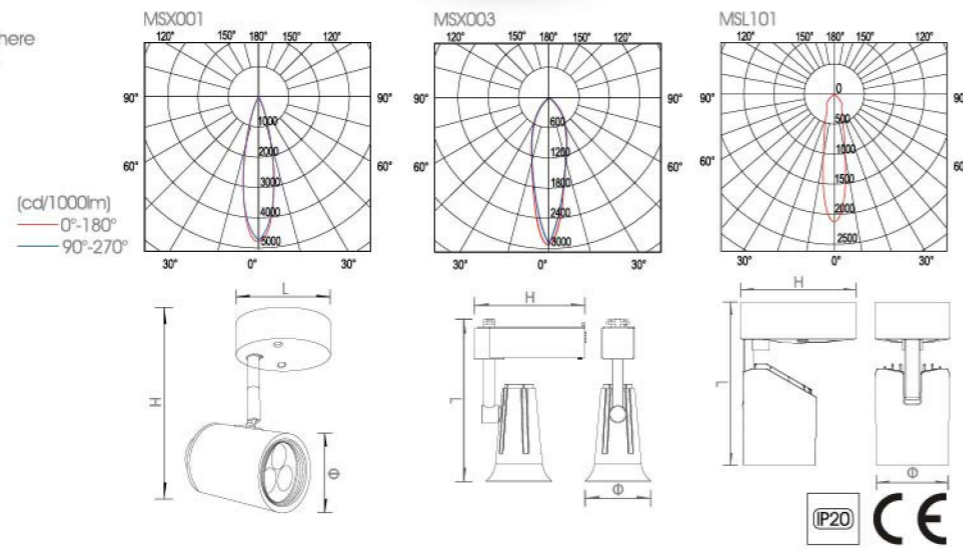
- Up to 80% energy saving and no lumen compromise compared with halogen
- Nice and integrated design (both COB LED emitter and LED driver built in)
- Easy installation, same as the installation of halogen track light
- Perfect heat dissipation and excellent light distribution

## Benefits

- Significant lowering energy cost
- Lowering maintenance cost
- Excellent accent lighting result for the desired atmosphere
- Novelty and elegant design for the fashion ambience

## Application

- For accent lighting in bars, hotels, museum and retails, etc



## Specification

### Surface Mounted

Picture	Model	Input Voltage	Power	CCT	Lumen	CRI	Beam Angle	Power Factor	Life Time	IP	Dimension	QTY/CTN
	MSX001	AC220-240V	3W	3000K	200lm	>80	25°	0.5	30,000hrs	IP20	Φ65*L91*H145mm	40 pcs
				5000K	230lm							
	MSX002	AC220-240V	7W	3000K	400lm	>80	25°	0.6	30,000hrs	IP20	Φ70*L88*H163mm	40 pcs
				5000K	440lm							
	MSX003	AC220-240V	7W	3000K	400lm	>80	25°	0.6	30,000hrs	IP20	Φ59*L88*H133mm	40 pcs
				5000K	440lm							

### On Track

Picture	Model	Input Voltage	Power	CCT	Lumen	CRI	Beam Angle	Power Factor	Life Time	IP	Dimension	QTY/CTN
	MSL101	AC220-240V	12W	3000K	740lm	>80	15°	0.6	30,000hrs	IP20	Φ70*L110*H177mm	40 pcs
				5000K	780lm							
	MSL102	AC220-240V	12W	3000K	740lm	>80	15°	0.6	30,000hrs	IP20	Φ57*L110*H144mm	40 pcs
				5000K	780lm							

## Energy Saving Comparison

Energy Saving Rate: Up to 80%  
Life Time Comparison: 2,000hrs VS 30,000hrs



Item	System Power	Luminous Flux	Efficacy	CCT	Life Time
LED Track Light 7W	7W	440lm	63lm/W	3000K/5000K	30,000hrs
Halogen Track Light 35W	40W	385lm	10lm/W	3000K	2,000hrs
LED Track Light 12W	12W	780lm	65lm/W	3000K/5000K	30,000hrs
Halogen Track Light 50W	57W	580lm	10lm/W	3000K	2,000hrs

Remarks:  
1. The efficiency of issued halogen transformer is 88%

